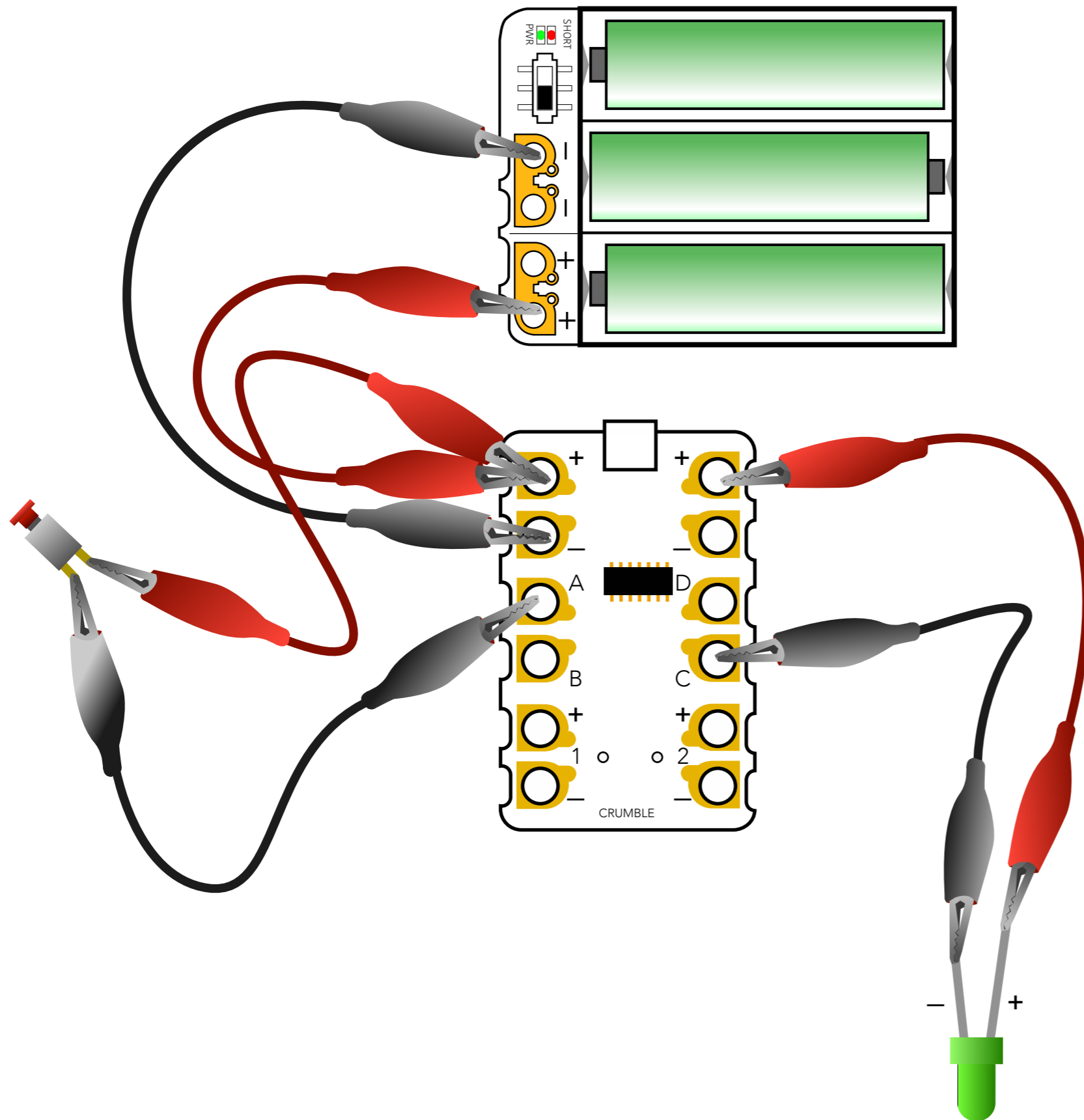


CRUMBLE

This is a very basic starting point for using the Crumble. In this example we are programming the Crumble to make an LED flash every 0.5sec as soon a the push to make switch is pushed on.



program start

do forever

do until A is HI

set D HI

wait 0.5 seconds

set D LO

wait 0.5 seconds

loop

loop

Try experimenting with different switches to make the LED flash and create a presentation showing your results. You could also try changing the timing of the flashing LED or even try adding a second LED. How could you add a second LED to flash as a different speed?